

# 'Bob the Blindman'

Quality, Value and Service

## how to fit and care for your **roller blind**

**IN ORDER TO KEEP YOUR BLIND SAFE IN TRANSIT, THE BRACKETS ARE PACKED SEPARATELY AND ENCLOSED AT ONE END OF THE BOX. PLEASE CHECK THOROUGHLY BEFORE DISCARDING ANY PACKAGING.**

### aftercare

To ensure your Roller blind stays looking its best for many years to come, follow the straightforward operating and cleaning instructions below:

#### **Operating Instructions**

- Use the chain at the side of the blind to raise and lower to your desired height

#### **Cleaning**

- Simply dust down as required with a dry or damp cloth

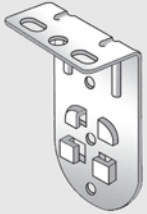
#### **WARNING**

IN THE INTEREST OF SAFETY, PLEASE KEEP ALL PULL CORDS AND CHAINS OUT OF THE REACH OF CHILDREN. MOVE COTS, BEDS AND OTHER FURNITURE AWAY FROM BLINDS AND INSTALL SAFETY DEVICES SUCH AS CLEATS AND CORD TIDIES TO LIMIT ACCESS TO CORDS.

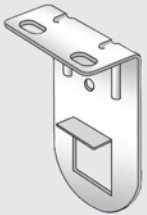
# roller blinds fitting instructions

## fittings

### 1 Brackets: 2

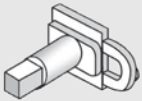


Idle End Pin Bracket



Chain End Bracket

### 2 Plastic Inserts: 1

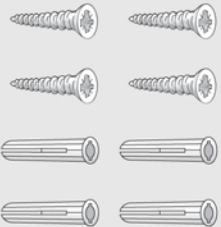


Idle End Pin

### 3 Wood Screws: 4



### 4 Screws: 4 Rawl Plugs: 4



### 5 Blind: 1

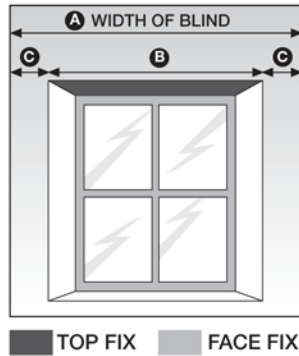


#### Outside Recess

If fitting the blind outside the window, measurements (C) will need to be the same. To work out (C), simply minus (B) from (A) and divide the answer by two. Follow instructions for FACE FIXING

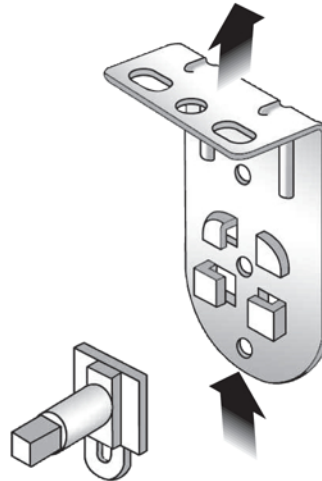
#### Inside recess

Decide whether to FACE or TOP FIX. FACE FIX to fit the bracket to the window frame. TOP FIX to the lintel if the window frame is upvc, or if there are any obstructions, e.g. window handles.



step one

Slide idle end pin upwards between the teeth of the bracket until it clicks into place.

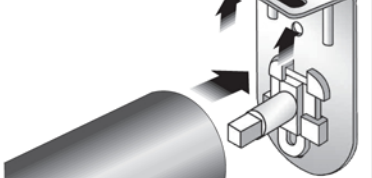


step two

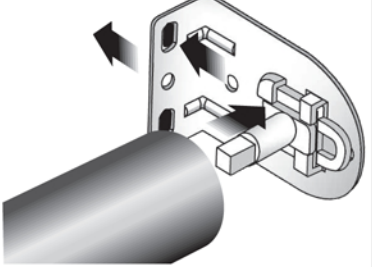
Press brackets into the corresponding ends of the blind, offer the blind into the fixing position.

Now mark the position of holes for drilling.

#### TOP FIXING



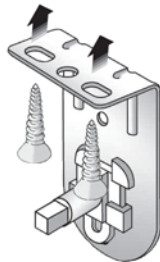
#### FACE FIXING



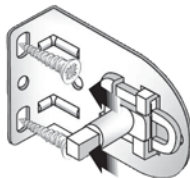
step three

Drill the two holes per bracket where marked and screw brackets into position.

#### TOP FIXING



#### FACE FIXING

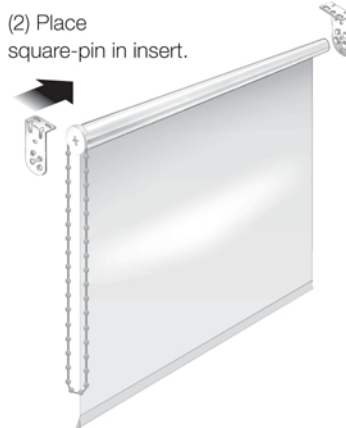


step four

Remove the plastic end pin from the bracket and place it in the end of the blind. Then insert into the bracket. (1)

(1) Slide idle end pin into bracket.

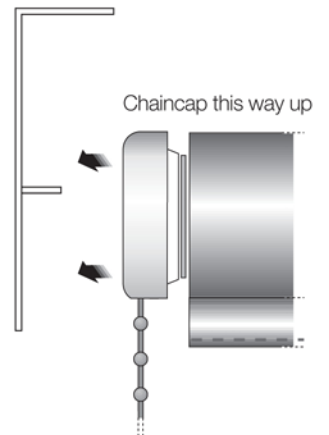
(2) Place square-pin in insert.



step five

Holding the fully-wound blind, position chain cap as shown and press into the corresponding bracket. (2)

Gently pull the chain to raise and lower the blind.



step six

If you would like more information or help with fitting your blind, please call 0800 783 7001 9am - 6pm Monday to Saturday.